

SHEET:
SHOP

CONSTRUCTION
FLOOR PLAN

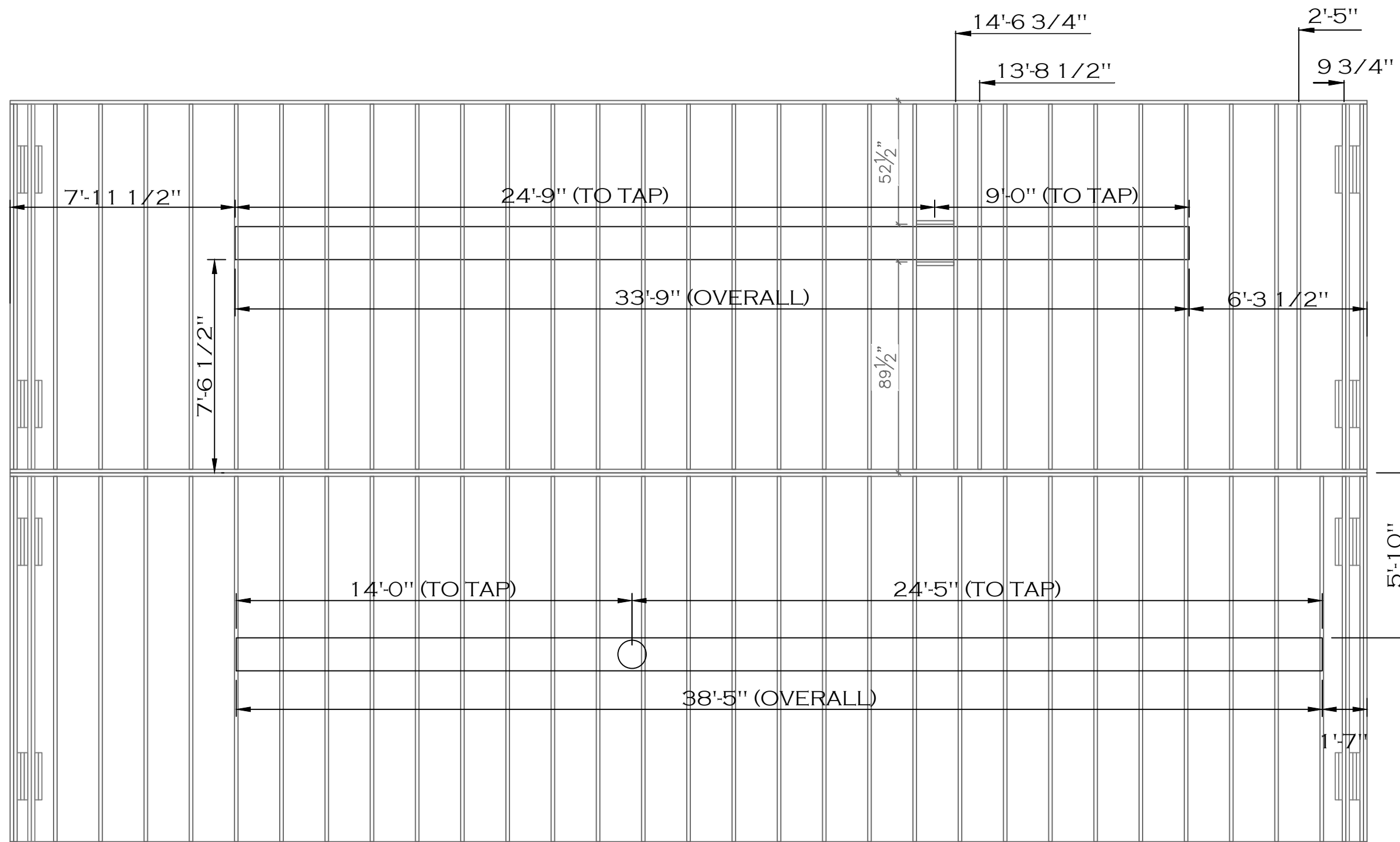
Clayton Clayton - 934
1420 Mountain Rd, Andersonville, TN 37705
PH: 865.494.7800 FAX: 865.494.0243

HILBORN, WERNER, CARTER,
AND ASSOCIATES, INC.
1627 SOUTH MYRTLE AVE.
CLEARWATER, FL. 33756

DRAWING #: 34M188
MODEL #: TRA28483A
DATE: 06/03/2019 SCALE: N.T.S.

MODEL: THE TRADITION (28'x48')
SERIES: TRADITION
PRODUCT DESIGNER: DANIEL C. SHELDON

STD PLAN "CONDITIONED": 1,264 FT²
REV. BY:
REV. DATE:



SHEET:

FJIG

FLOOR JOIST
PLAN

Clayton Clayton - 934
 1420 Mountain Rd, Andersonville, TN 37705
 PH: 865.494.7800 FAX: 865.494.0243

HILBORN, WERNER, CARTER,
 AND ASSOCIATES, INC.
 1627 SOUTH MYRTLE AVE.
 CLEARWATER, FL. 33756

DRAWING #: 34M188

MODEL #: TRA28483A

DATE: 06/03/2019

SCALE: N.T.S.

MODEL: THE TRADITION (28'X48')

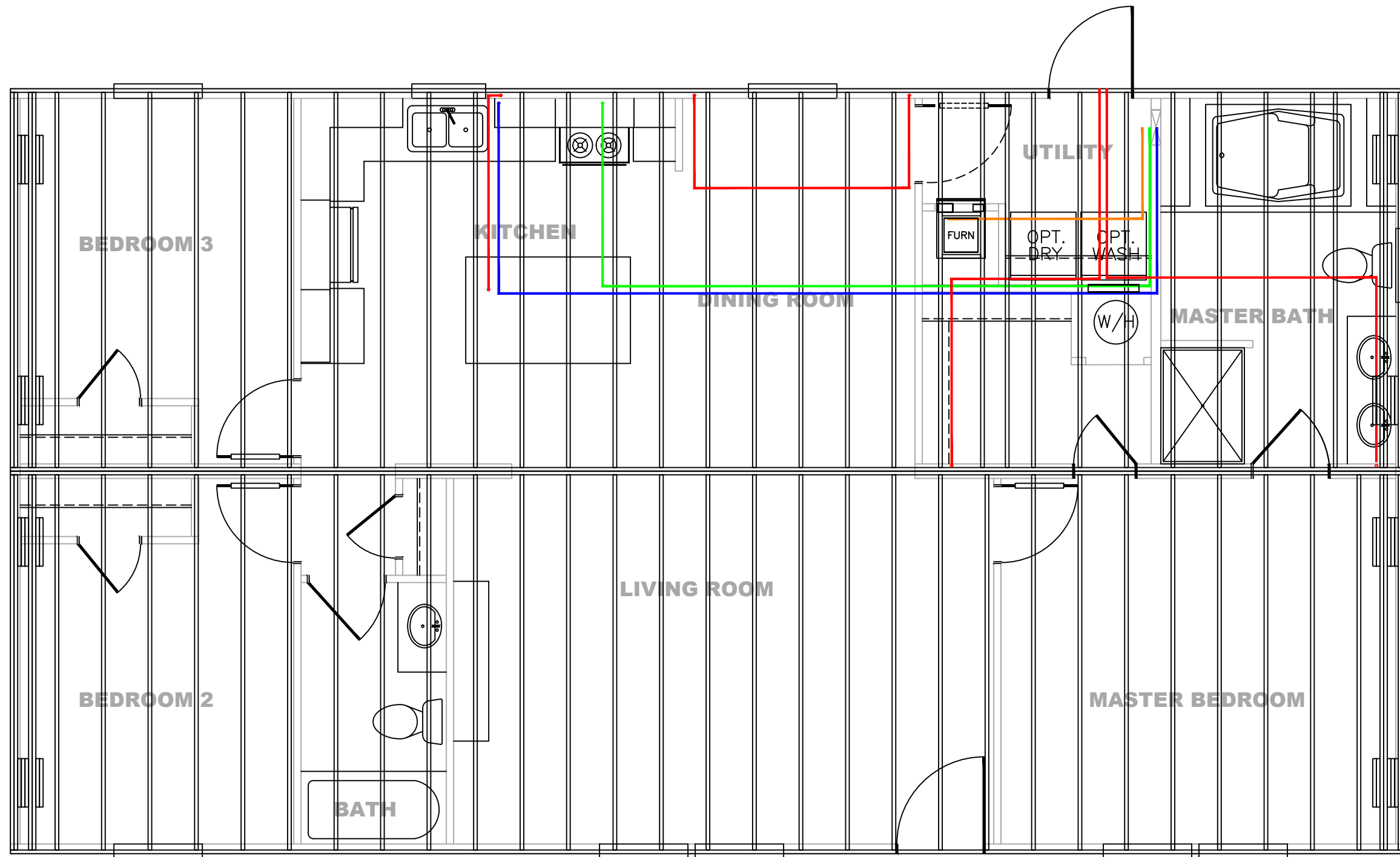
SERIES: TRADITION


PRODUCT DESIGNER: DANIEL C. SHELDON

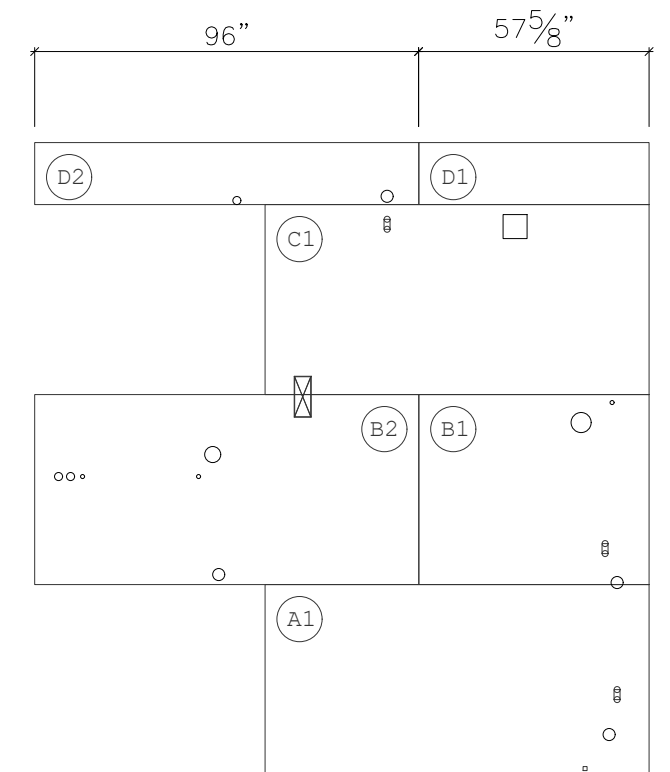
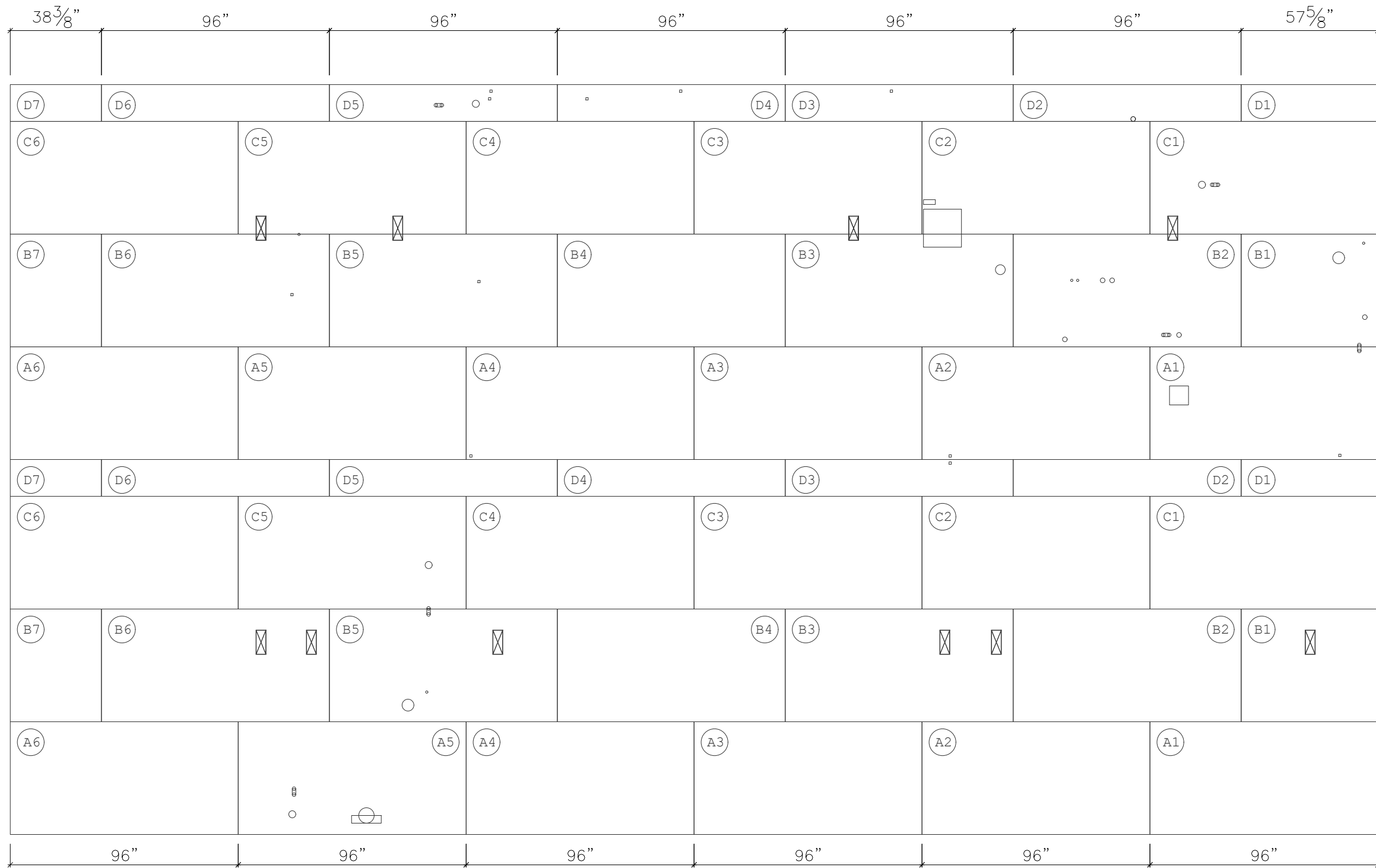
STD PLAN *CONDITIONED*: 1,264 FT²

REV. BY:

REV. DATE:

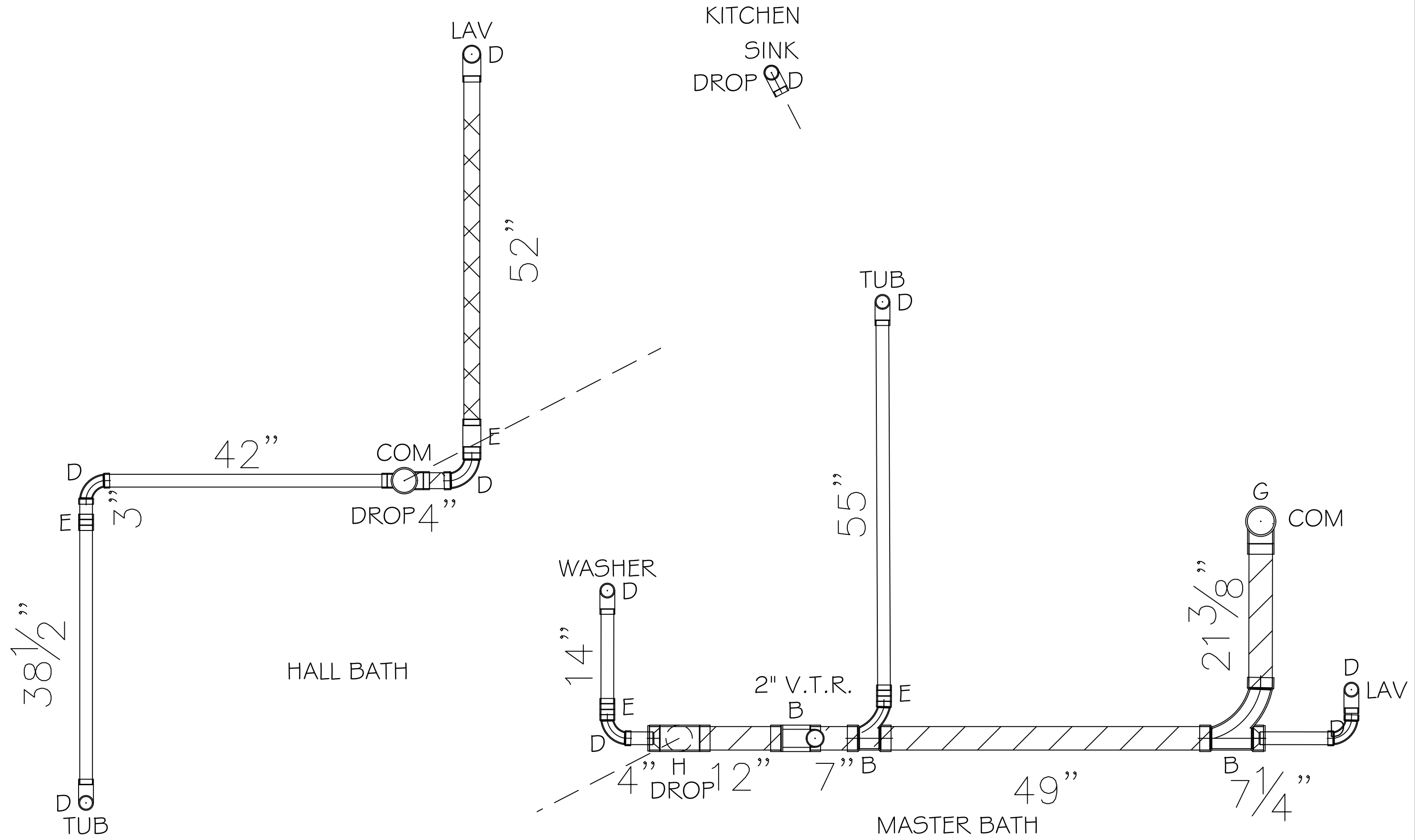


SHEET: FJIG	FLOOR JOIST ELECTRICAL PLAN	 Clayton - 934 1420 Mountain Rd, Andersonville, TN 37705 PH: 865.494.7800 FAX: 865.494.0243	DRAWING #:	34M188	MODEL:	THE TRADITION (28'X48')	STD PLAN *CONDITIONED*:	1,264 FT ²
			MODEL #:	TRA28483A	SERIES:	TRADITION	REV. BY:	
			DATE:	06/03/2019	SCALE:	N.T.S.	PRODUCT DESIGNER:	DANIEL C. SHELDON
							REV. DATE:	

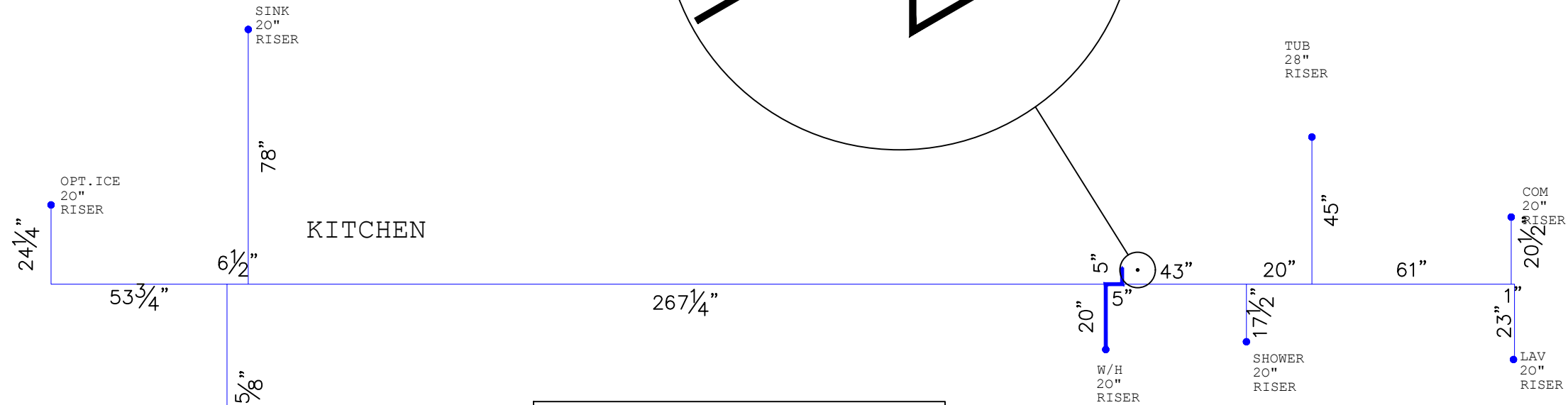
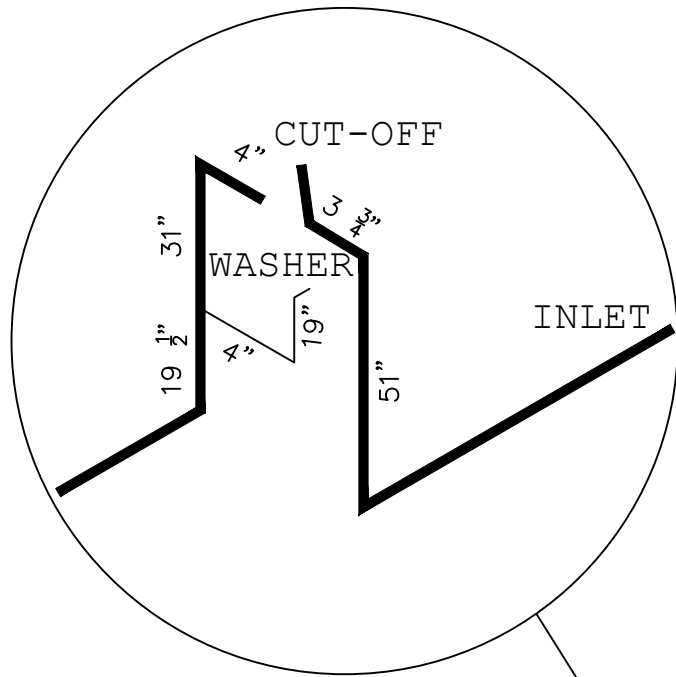


OPT. MASTER BATH

SHEET: DECK	FLOOR DECKING PLAN	Clayton - 934 1420 Mountain Rd, Andersonville, TN 37705 PH: 865.494.7800 FAX: 865.494.0243	DRAWING #: 34M188	MODEL: THE TRADITION (28'X48')	STD PLAN *CONDITIONED*: 1,264 FT ²
			MODEL #: TRA28483A	SERIES: TRADITION	REV. BY:
			DATE: 06/03/2019	SCALE: N.T.S.	PRODUCT DESIGNER: DANIEL C. SHELDON

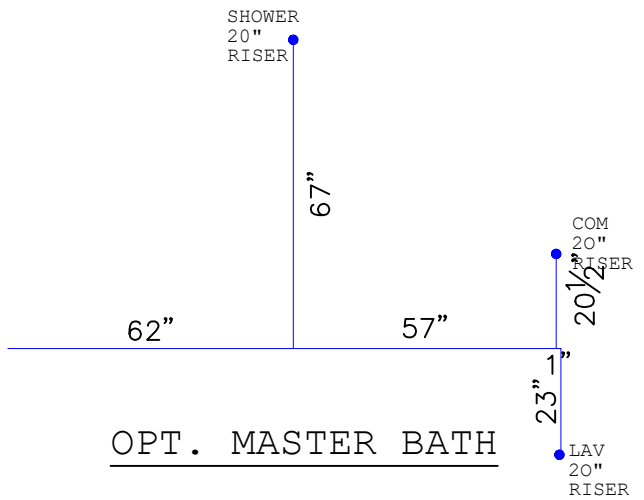


SHEET: DRAIN	2D DRAIN LINES	Clayton - 934 1420 Mountain Rd, Andersonville, TN 37705 PH: 865.494.7800 FAX: 865.494.0243	DRAWING #:	34M188	MODEL:	THE TRADITION (28'X48')	STD PLAN "CONDITIONED":	1,264 FT ²
			MODEL #:	TRA28483A	SERIES:	TRADITION	REV. BY:	DCS
			DATE:	06/03/2019	SCALE:	N.T.S.	PRODUCT DESIGNER:	DANIEL C. SHELDON

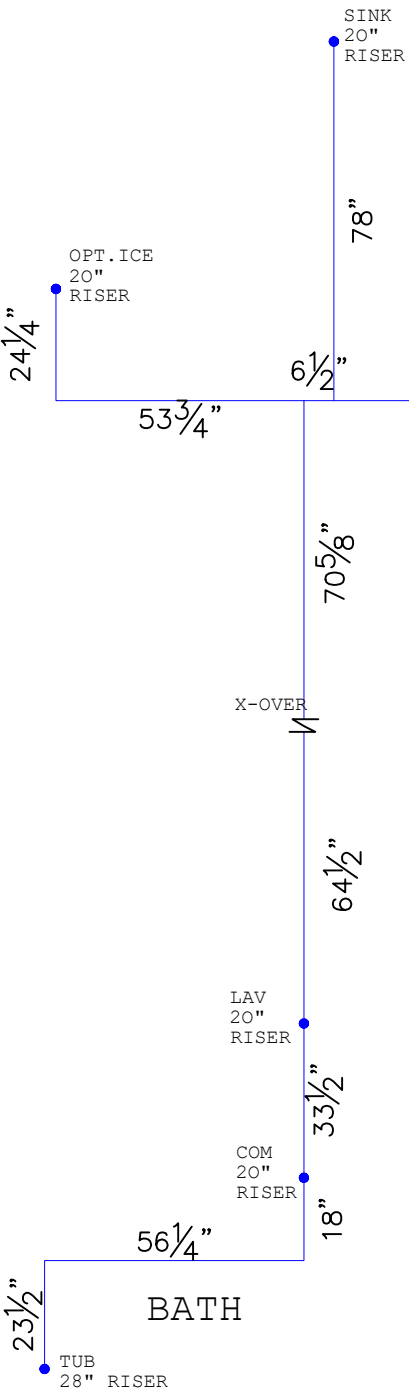


COLD WATER SUPPLY LINES

MASTER BATH



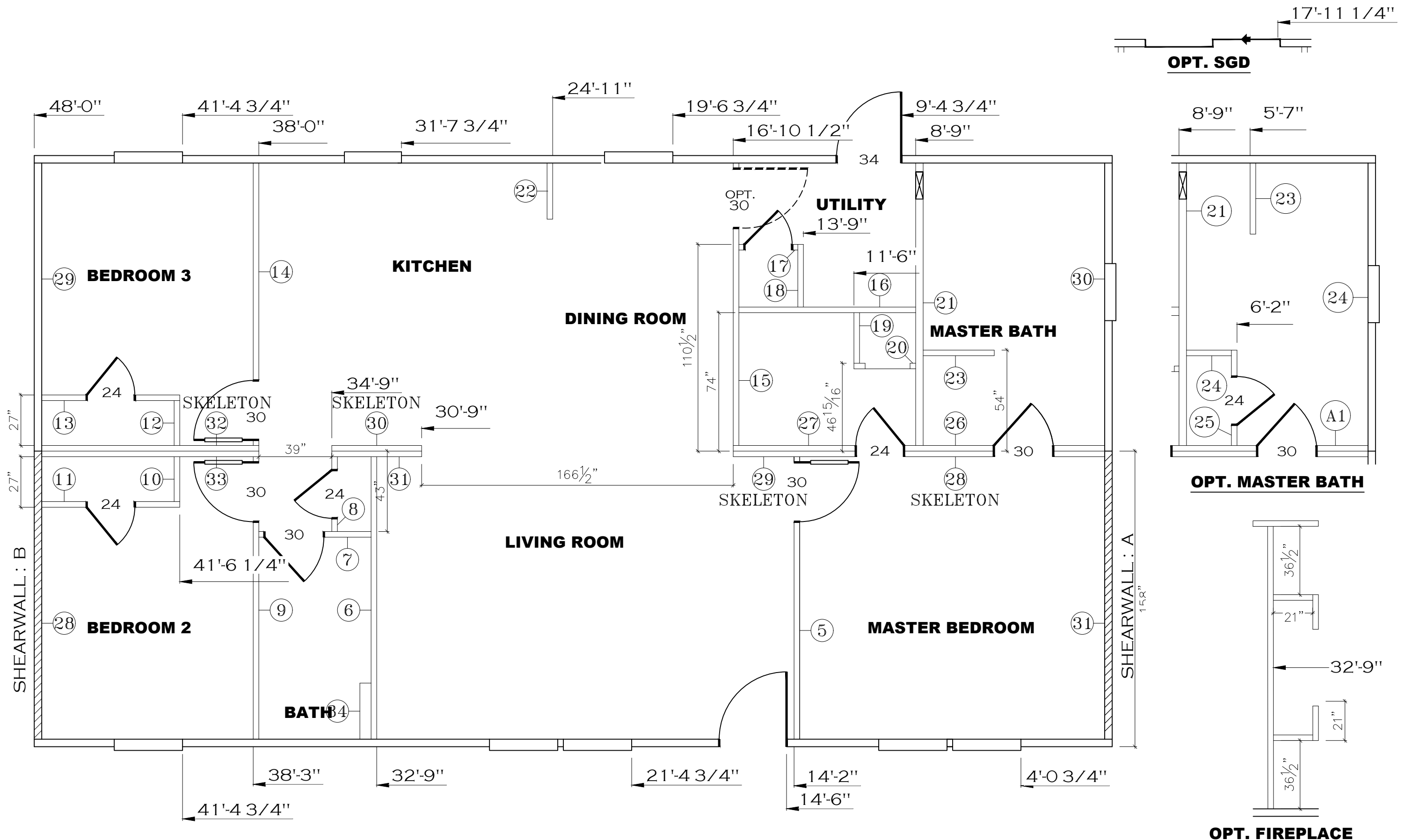
OPT. MASTER BATH



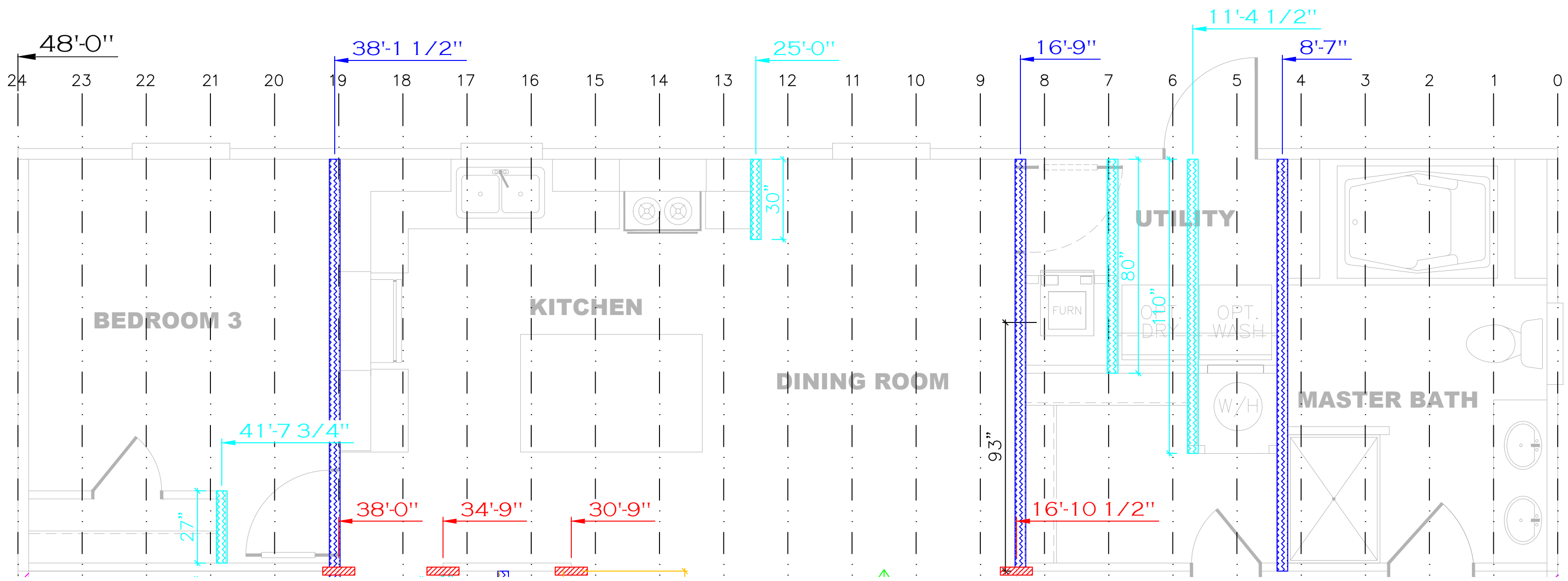
BATH

1/2" LINE = _____
 3/4" LINE = _____

SHEET: CW	2D COLD WATER SUPPLY LINES	Clayton - 934 1420 Mountain Rd, Andersonville, TN 37705 PH: 865.494.7800 FAX: 865.494.0243	DRAWING #:	34M188	MODEL:	THE TRADITION (28'X48')	STD PLAN "CONDITIONED":	1,264 FT ²
			MODEL #:	TRA28483A	SERIES:	TRADITION	REV. BY:	
			DATE:	06/03/2019	SCALE:	N.T.S.	PRODUCT DESIGNER:	DANIEL C. SHELDON
							REV. DATE:	

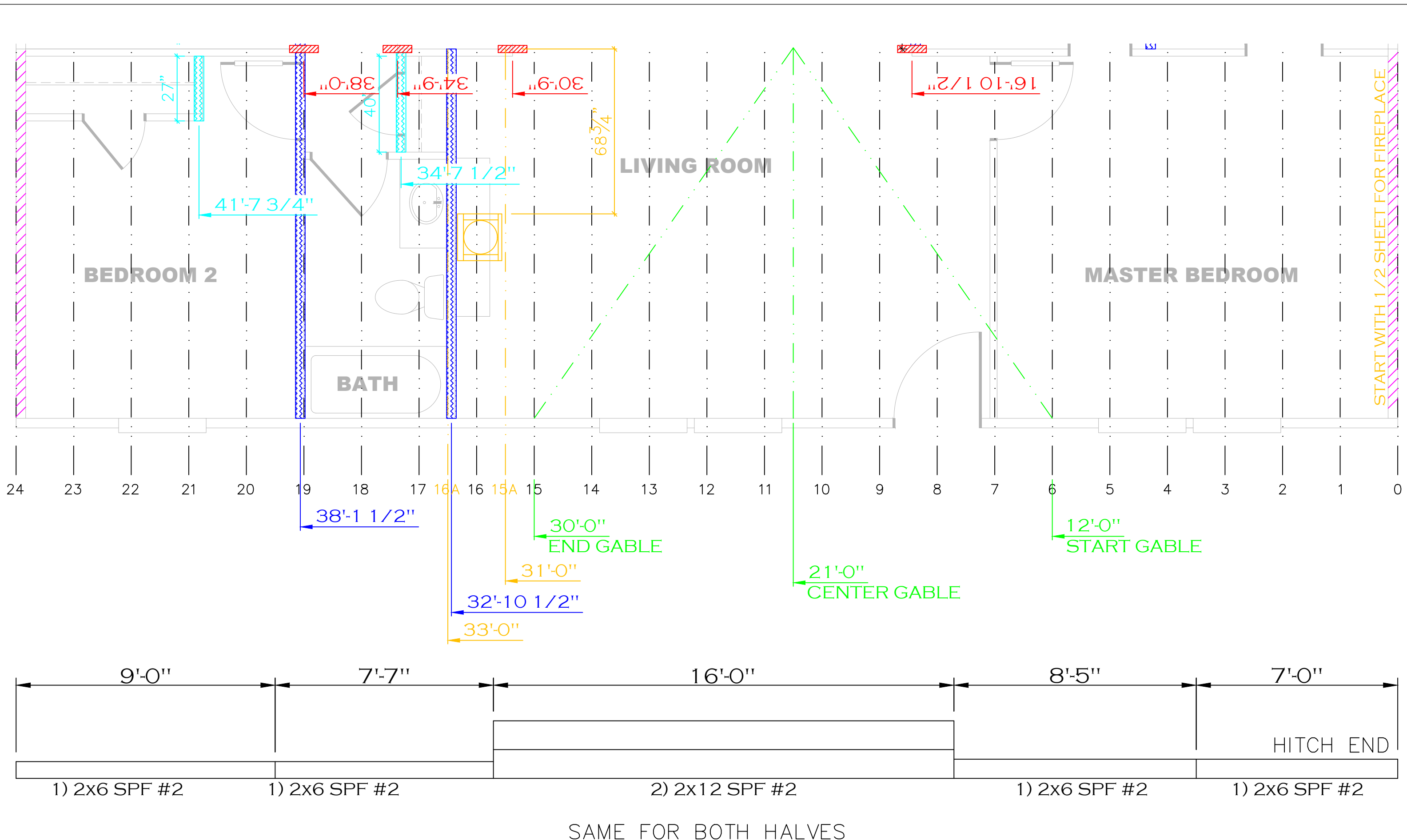


SHEET: BASE	WALL SET PLAN	Clayton - 934 1420 Mountain Rd, Andersonville, TN 37705 PH: 865.494.7800 FAX: 865.494.0243	HILBORN, WERNER, CARTER, AND ASSOCIATES, INC. 1627 SOUTH MYRTLE AVE. CLEARWATER, FL. 33756	DRAWING #: 34M188	MODEL: THE TRADITION (28'X48')	STD PLAN *CONDITIONED*: 1,264 FT ²
			MODEL # TRA28483A DATE: 06/03/2019 SCALE: N.T.S.	SERIES: TRADITION	REV. BY: DCS	
			PRODUCT DESIGNER: DANIEL C. SHELDON		REV. DATE: 08/30/2019	



SAME FOR BOTH HALVES

SHEET: CJIG	RIDGEBEAM – RAFTER PLAN A HALF	Clayton - 934 1420 Mountain Rd, Andersonville, TN 37705 PH: 865.494.7800 FAX: 865.494.0243	HILBORN, WERNER, CARTER, AND ASSOCIATES, INC. 1627 SOUTH MYRTLE AVE. CLEARWATER, FL. 33756	DRAWING #:	34M188	MODEL:	THE TRADITION (28'X48')	STD PLAN *CONDITIONED*:	1,264 FT ²
				MODEL #:	TRA28483A	SERIES:	TRADITION	REV. BY:	
				DATE:	06/03/2019	SCALE:	N.T.S.	PRODUCT DESIGNER:	DANIEL C. SHELDON



1) 2x6 SPF #2

1) 2x6 SPF #2

2) 2x12 SPF #2

1) 2x6 SPF #2

1) 2x6 SPF #2

SAME FOR BOTH HALVES

SHEET: CJIG	RIDGEBEAM – RAFTER PLAN B HALF	Clayton - 934 1420 Mountain Rd, Andersonville, TN 37705 PH: 865.494.7800 FAX: 865.494.0243	DRAWING #:	34M188	MODEL:	THE TRADITION (28'X48')	STD PLAN *CONDITIONED*:	1,264 FT ²
			MODEL #:	TRA28483A	SERIES:	TRADITION	REV. BY:	
			DATE:	06/03/2019	SCALE:	N.T.S.	PRODUCT DESIGNER:	DANIEL C. SHELDON