

- GENERAL NOTES:**
- PIER LOADS SHOWN ARE TO BE USED TO SIZE THE FOOTINGS BELOW THE MARRIAGEWALL FOR COLUMN SUPPORT PIERS. REFER TO TABLES 6b AND 6c IN THE INSTALLATION MANUAL FOR LOAD ON FRAME PIER FOOTINGS FOR HOMES THAT DO NOT REQUIRE PERIMETER BLOCKING. REFER TO TABLES 7b AND 7c IN THE INSTALLATION MANUAL FOR LOAD ON FRAME PIER FOOTINGS THAT REQUIRE PERIMETER BLOCKING. REFER TO TABLES 10 AND 10a TO DETERMINE FOOTING SIZE FOR ALL PIERS.
 - REFER TO TABLE 9 FOR PIER CONFIGURATION AND MAXIMUM ALLOWABLE HEIGHTS. CROSS REFERENCE THE PIER HEIGHT WITH THE MAXIMUM ALLOWABLE FLOOR HEIGHT LISTED IN THE FRAME TIEDOWN CHARTS (TABLE 18, 19, AND 20).
 - FLOOR WIDTH SHOWN IS FOR STANDARD PRODUCT ONLY. CONTACT THE MFG PLANT FOR SPECIFICATIONS OF OPTIONS ORDERED.
 - SERVICE DROP LOCATIONS IDENTIFIED ARE APPROXIMATE.
 - THE MAXIMUM SPACING FOR FRAME SUPPORT PIERS FOR 8" I-BEAMS IS 8 FEET, 10" & 12" I-BEAMS ARE 10 FEET.

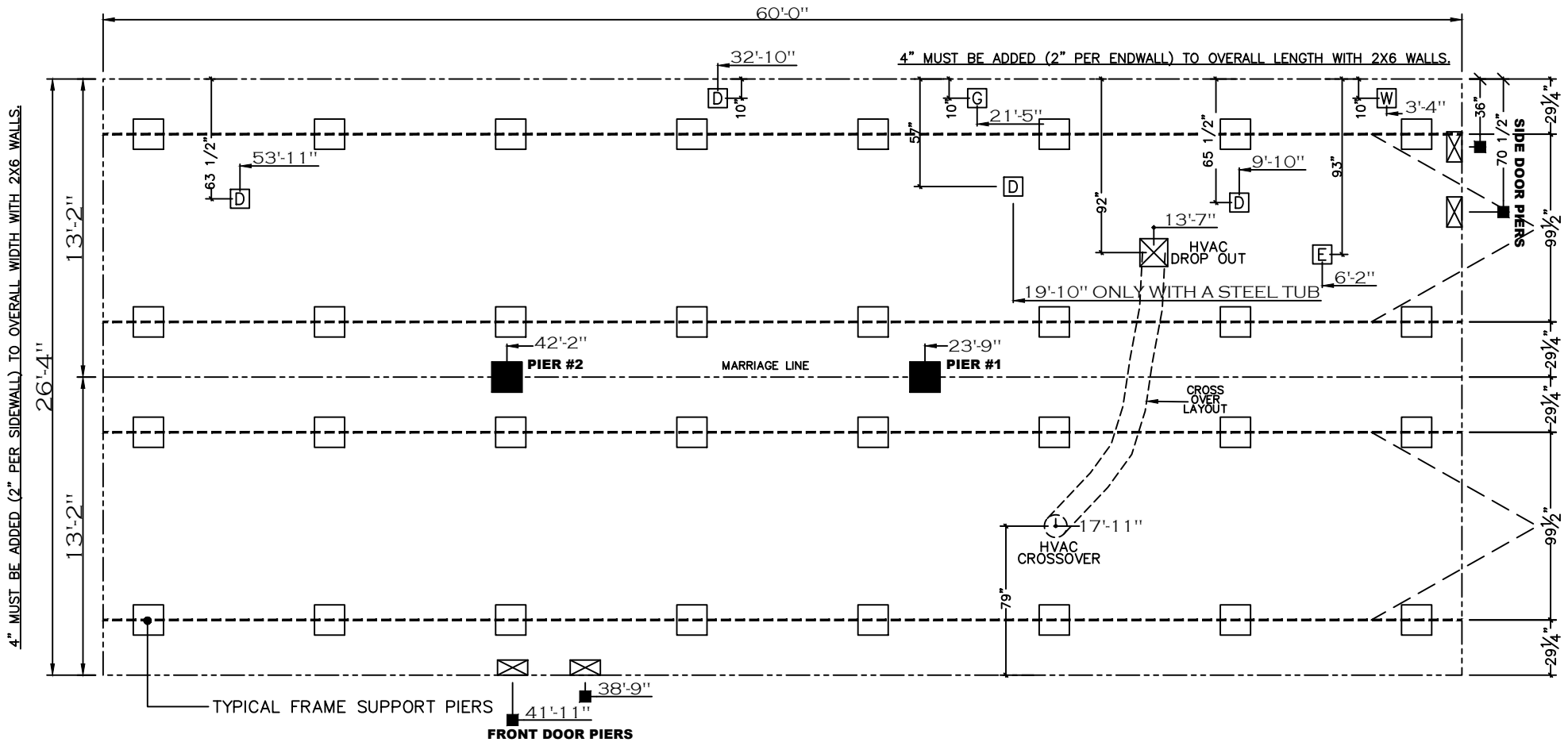
PIER LOAD 20lb. ROOF LOAD		PIER LOAD 30lb. ROOF LOAD		PIER LOAD 40lb. ROOF LOAD	
COLUMN PIER #	COLUMN LOAD (lbs)	COLUMN PIER #	COLUMN LOAD (lbs)	COLUMN PIER #	COLUMN LOAD (lbs)
PIER # 1	3,670	PIER # 1	7,570	PIER # 1	9,300
PIER # 2	3,670	PIER # 2	6,900	PIER # 2	8,500

20 lb ROOF LOAD SIDEWALL OPENING PIER LOAD 28' BOX WIDTH	SIDEWALL OPENING (FT) REQUIRED PIER LOAD (LBS)					
	3	4	5	6	8	10
	1175	1330	1485	1640	1950	2260

*FOR 30 lb & 40 lb ROOF LOAD REFER TO TABLES 7b & 7c IN THE INSTALLATION MANUAL.

SERVICE DROP LEGEND	
[E]	= ELECTRICAL DROP
[W]	= WATER INLET
[D]	= DWV PLUMBING DROP
[G]	= GAS INLET

PIER LEGEND	
[□]	= SUPPORT UNDER MATING OPENING
[■]	= SUPPORT AT MATING COLUMN
[▨]	= SUPPORT UNDER MATING WALL
[■]	= PIER PORCH/RECESSED ENTRY
[□]	= PIER MAIN BEAM
[■]	= PIER PERIMETER
[●]	= TIE-DOWN SUPPORT (QTY PER TBL M, SEE DETAIL D-6 IN FOUND. PKG.)



SHEET:	MP	PIER SET	Clayton - 934 1420 Mountain Rd, Andersonville, TN 37705 PH: 865.494.7800 FAX: 865.494.0243	HILBORN, WERNER, CARTER, AND ASSOCIATES, INC. 1627 SOUTH MYRTLE AVE. CLEARWATER, FL. 33756	DRAWING # 34M189 MODEL # RES28603A DATE: 07/30/2019	MODEL: RESERVE 60 SERIES: RESERVE SERIES PRODUCT DESIGNER: DANIEL C. SHELDON	STD PLAN "CONDITIONED": 1,580 FT ² REV. BY: REV. DATE:
--------	----	----------	--	---	---	--	---