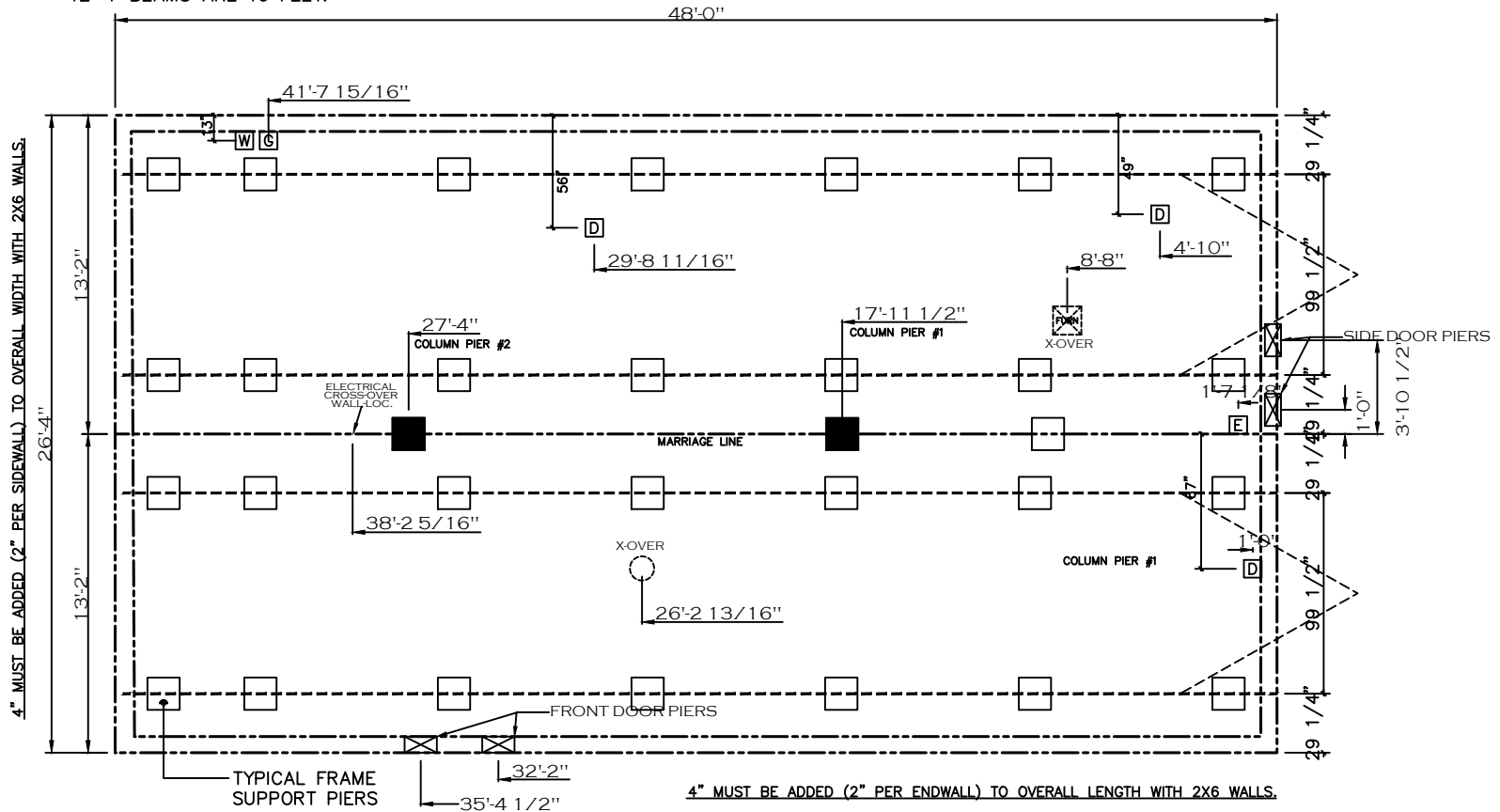


**GENERAL NOTES:**

1. PIER LOADS SHOWN ARE TO BE USED TO SIZE THE FOOTINGS BELOW THE MARRIAGEWALL FOR COLUMN SUPPORT PIERS. REFER TO TABLES 6b AND 6c IN THE INSTALLATION MANUAL FOR LOAD ON FRAME PIER FOOTINGS FOR HOMES THAT DO NOT REQUIRE PERIMETER BLOCKING. REFER TO TABLES 7b AND 7c IN THE INSTALLATION MANUAL FOR LOAD ON FRAME PIER FOOTINGS THAT REQUIRE PERIMETER BLOCKING. REFER TO TABLES 10 AND 10a TO DETERMINE FOOTING SIZE FOR ALL PIERS.
2. REFER TO TABLE 9 FOR PIER CONFIGURATION AND MAXIMUM ALLOWABLE HEIGHTS. CROSS REFERENCE THE PIER HEIGHT WITH THE MAXIMUM ALLOWABLE FLOOR HEIGHT LISTED IN THE FRAME TIEDOWN CHARTS (TABLE 18, 19, AND 20).
3. FLOOR WIDTH SHOWN IS FOR STANDARD PRODUCT ONLY. CONTACT THE MFG PLANT FOR SPECIFICATIONS OF OPTIONS ORDERED.
4. SERVICE DROP LOCATIONS IDENTIFIED ARE APPROXIMATE.
5. THE MAXIMUM SPACING FOR FRAME SUPPORT PIERS FOR 8" I-BEAMS IS 8 FEET, 10" & 12" I-BEAMS ARE 10 FEET.



20 lb ROOF LOAD SIDEWALL OPENING PIER LOAD 28' BOX WIDTH	SIDEWALL OPENING (FT) REQUIRED PIER LOAD (LBS)					
	3	4	5	6	8	10
	1175	1330	1485	1640	1950	2260

\*FOR 30 lb & 40 lb ROOF LOAD REFER TO TABLES 7b & 7c IN THE INSTALLATION MANUAL.

• PERIMETER SKIRTING MATERIAL AND FOUNDATION WALL DESIGNS ARE TO ALIGN WITH THE HOME'S EXTERIOR WALL PERIMETER.  
• AREAS AROUND PORCHES OR RECESSED ENTRIES ARE TO BE SEPARATED TO PREVENT MOISTURE FROM ACCUMULATING BENEATH THE HOME.

PIER LOAD 20lb. ROOF LOAD	
COLUMN PIER #	COLUMN LOAD (LBS)
PIER #1	3,593
PIER #2	4,153

SERVICE DROP LEGEND	
E	= ELECTRICAL DROP
W	= WATER INLET
D	= DWV PLUMBING DROP
G	= GAS INLET