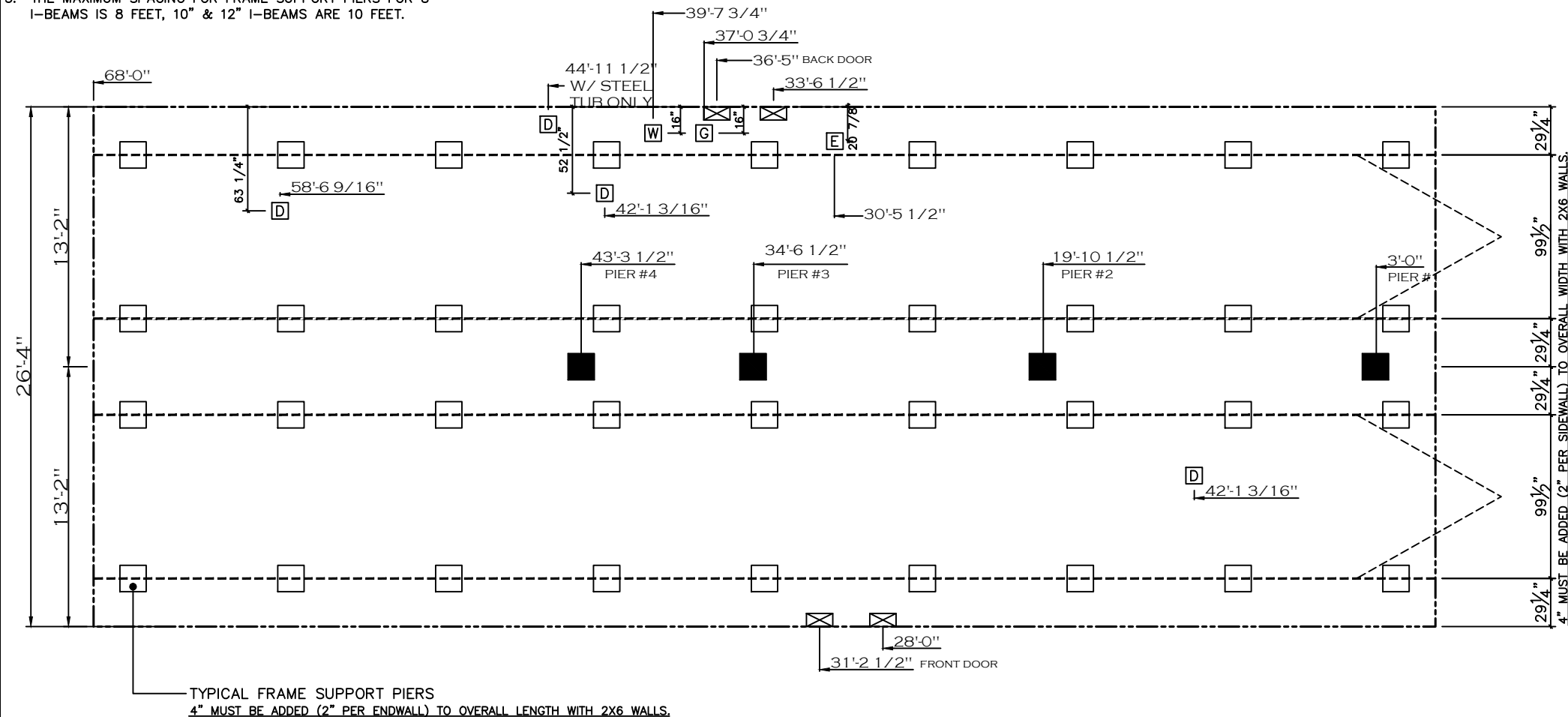


- GENERAL NOTES:**
- PIER LOADS SHOWN ARE TO BE USED TO SIZE THE FOOTINGS BELOW THE MARRIAGEWALL FOR COLUMN SUPPORT PIERS. REFER TO TABLES 6b AND 6c IN THE INSTALLATION MANUAL FOR LOAD ON FRAME PIER FOOTINGS FOR HOMES THAT DO NOT REQUIRE PERIMETER BLOCKING. REFER TO TABLES 7b AND 7c IN THE INSTALLATION MANUAL FOR LOAD ON FRAME PIER FOOTINGS THAT REQUIRE PERIMETER BLOCKING. REFER TO TABLES 10 AND 10a TO DETERMINE FOOTING SIZE FOR ALL PIERS.
  - REFER TO TABLE 9 FOR PIER CONFIGURATION AND MAXIMUM ALLOWABLE HEIGHTS. CROSS REFERENCE THE PIER HEIGHT WITH THE MAXIMUM ALLOWABLE FLOOR HEIGHT LISTED IN THE FRAME TIEDOWN CHARTS (TABLE 18, 19, AND 20).
  - FLOOR WIDTH SHOWN IS FOR STANDARD PRODUCT ONLY. CONTACT THE MFG PLANT FOR SPECIFICATIONS OF OPTIONS ORDERED.
  - SERVICE DROP LOCATIONS IDENTIFIED ARE APPROXIMATE.
  - THE MAXIMUM SPACING FOR FRAME SUPPORT PIERS FOR 8" I-BEAMS IS 8 FEET, 10" & 12" I-BEAMS ARE 10 FEET.

20 psf Roof Live Load		
Column Pier #	Distance from Hitch	Pier Load (lbs)
1	3	3733
2	19.875	3733
3	34.542	2128
4	43.292	2128

PIER LEGEND	
<input type="checkbox"/>	= SUPPORT UNDER MATING OPENING
<input checked="" type="checkbox"/>	= SUPPORT AT MATING COLUMN
<input checked="" type="checkbox"/>	= SUPPORT UNDER MATING WALL
<input checked="" type="checkbox"/>	= PIER PORCH/RECESSED ENTRY
<input type="checkbox"/>	= PIER MAIN BEAM
<input checked="" type="checkbox"/>	= PIER PERIMETER

SERVICE DROP LEGEND	
<input type="checkbox"/>	= ELECTRICAL DROP
<input type="checkbox"/>	= WATER INLET
<input type="checkbox"/>	= DWV PLUMBING DROP
<input type="checkbox"/>	= GAS INLET



TYPICAL FRAME SUPPORT PIERS  
4" MUST BE ADDED (2" PER ENDWALL) TO OVERALL LENGTH WITH 2X6 WALLS.

20 lb ROOF LOAD SIDEWALL OPENING PIER LOAD 28' BOX WIDTH	SIDEWALL OPENING (FT) REQUIRED PIER LOAD (LBS)					
	3	4	5	6	8	10
	1175	1330	1485	1640	1950	2260

\*FOR 30 lb & 40 lb ROOF LOAD REFER TO TABLES 7b & 7c IN THE INSTALLATION MANUAL.

PIER LOADS	Clayton - 934 1420 Mountain Rd, Andersonville, TN 37705 PH: 865.494.7800 FAX: 865.494.0243	HILBORN, WERNER, CARTER, AND ASSOCIATES, INC. 1627 SOUTH MYRTLE AVE. CLEARWATER, FL. 33756	DRAWING #:	34M201-MP	MODEL:	FUSION 2868 (28'X68')	STD PLAN "CONDITIONED":	1,790 FT²
			MODEL #:	FSN28683A	SERIES:	FUSION	REV. BY:	
			DATE:	03/31/2023	SCALE:	N.T.S.	PRODUCT DESIGNER:	BRIAN K. RIFFEY